



True Wireless Earbuds with Charging Case

PBT155 User Manual



Questions?
Need some help?
This manual will help you
enjoy your new product



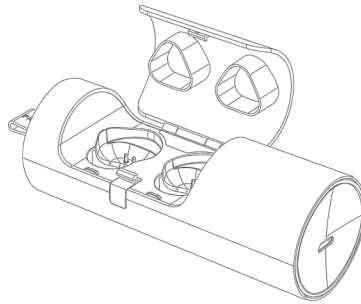
or visit us at
www.southern telecom.com
Click on "Product Support"

Pairing the Earbuds

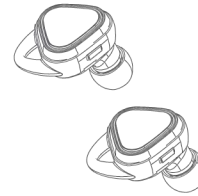
1. Long press the **[Multi]** button **for 3 seconds** on both earbuds, until the LED indicators turn **BLUE**. A voice will be heard indicating that the earbuds are powered ON.
2. Double quick press the **[Multi]** button on either of the earbuds to pair the earbuds together. After **~5 seconds**, one earbud's LED indicator will **flash RED and BLUE**, the other earbud's LED indicator will turn **solid BLUE then flash**. A voice will be heard indicating that the earbuds have successfully paired to each other.
3. Set your mobile device to search for Bluetooth devices, select **PBT155** from the list of found devices.
4. Once successful paired, a voice will be heard and both LED indicators will turn **BLUE and flash**.

After pairing for the first time, the earbuds will pair together automatically, **the above steps 3 and 4 will need to be repeated**.

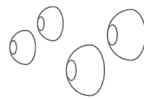
In the Box



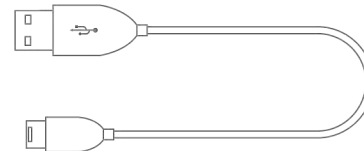
Charging Pod



Wireless Earbuds
w/ Ear Bands



Extra Ear Tips



Micro-USB
Charging Cable

Location of Controls

(Earbuds)

1. **[Multi]** Button:

- Long Press - Power ON/OFF, reject incoming phone call
- Quick Press - Play/pause music, answer/end phone calls
- Double Press - Redial last number called

2. LED Indicator

3. (Removable) Ear Band

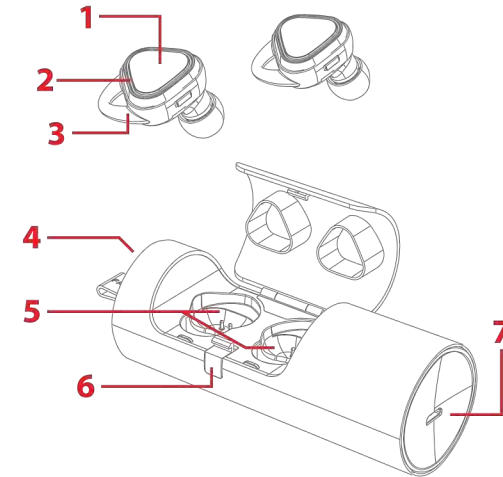
(Charging Pod)

4. LED Indicator

5. Earbud Charging Ports

6. Door Release Button

7. Micro-USB Charging Port



Using the Earbuds

Powering ON/OFF

- Turn the earbuds ON by long pressing the **[Multi]** button for approximately 3 seconds.
- Turn the earbuds OFF by long pressing the **[Multi]** button for approximately 4 seconds.

Phone Calls

- To answer an incoming phone call quick press the **[Multi]** button. If you are playing music, it will be automatically paused.
- To hang up, quick press the **[Multi]** button. Music playback will automatically resume.
- To redial the last phone number you called, double quick press the **[Multi]** button.

Playing Music

To enjoy music wirelessly on the earbuds, make sure that they are paired to your mobile device. If you are pairing the device for the first time, please consult the **Pairing the Earbuds** part of this user guide.

- Quick press the **[Multi]** button to play/pause media playback.

Charging the Earbuds

Charging the Pod

Plug the small end of the supplied micro-USB charging cable to the micro-USB charging port on the side of the charging pod. Plug the other end into a USB charging device, the USB port on a computer, or a **5V USB adapter** and plug into a wall outlet.

The LED indicator on the side of the charging pod will light up indicating a rough estimate of the current charging level of the pod.

Charging the Earbuds

After or while the pod is charging, insert both earbuds into the seats of the charging pod so that the earbuds touch the metal contacts inside. **Close the door of the pod**; this will push the earbuds down and make full contact to properly charge the earbuds.

The LED indicators on the earbuds will turn **RED** while charging and turn OFF when finished.



Make sure you charge your earbuds for at least **2 - 3 hours** before using it for the first time.

Additional Information

Earbud LED Indicator Status

Earbuds Matching State - LED indicators slowly flash RED

Earbuds Waiting to Pair to Device - LED indicators flash RED and BLUE

Charging - LED indicator turns solid RED

Charging Completed - LED indicator turns OFF

Low Power - LED indicator flashes RED, voice prompt is heard

- It is best to look at the LED indicators on the earbuds while pairing them to your mobile device as it will give you the most immediate and accurate information.
- The earbuds will automatically repair to the last device they were paired to when powered ON.
- If you are having problems with the earbuds staying connected, they may be low on battery and need to be charged.
- When charging the earbuds, make sure that the LED indicators have turned RED.
- Do not shake or jostle the charging pod while charging the earbuds as it may unseat them from the metal contacts and not charge.

Warranty Information

This product as supplied and distributed new by AIT, Inc. ("AIT") to the original consumer purchaser is warranted by AIT against defects in material and workmanship for a period of one year from your date of purchase ("Warranty"). In the unlikely event that this product is defective, or does not perform properly, you may within one year from your original date of purchase return it to the authorized service center for repair or exchange.

TO OBTAIN WARRANTY SERVICE:

- Go to our website portal to receive an SRO number.
- Provide proof of the date of purchase within the package (dated bill of sale).
- Prepay all shipping costs to the authorized service center, and remember to insure your return.
- Include a return shipping address (no P.O. Boxes), a telephone contact number, and the defective unit within the package.
- Describe the defect or reason you are returning the product.

Your product will be repaired or replaced, at our option, for the same or similar model of equal value if examination by the service center determines this product is defective. Products received damaged as a result of shipping, will require you to file a claim with the carrier.

The shipping address of the authorized service center is:

AIT, Inc.
Customer Service Dept. 36
c/o Southern Telecom
400 Kennedy Drive
Sayreville NJ 08872

For further customer service:
 www.southern telecom.com
Click on **Product Support**

IN NO EVENT WILL AIT, ITS MANUFACTURERS, DISTRIBUTORS OR PLR IP HOLDINGS, LLC BE LIABLE FOR ANY INCIDENTAL, DIRECT, INDIRECT, SPECIAL, PUNITIVE OR CONSEQUENTIAL DAMAGES (SUCH AS, BUT NOT LIMITED TO, DAMAGES FOR LOSS OF PROFITS, BUSINESS, SAVINGS, DATA OR RECORDS) RELATED TO THIS PRODUCT. EXCEPT AS STATED HEREIN, NO OTHER WARRANTIES SHALL APPLY.

Legal Information

READ THIS CAREFULLY AND SAVE FOR FUTURE REFERENCE

This equipment has been tested and found to comply with the limits for a Class B digital device, pursuant to part 15 of the FCC Rules. These limits are designed to provide reasonable protection against harmful interference in a residential installation. This equipment generates, uses and can radiate radio frequency energy and, if not installed and used in accordance with the instructions, may cause harmful interference to radio communications. However, there is no guarantee that interference will not occur in a particular installation. If this equipment does cause harmful interference to radio or television reception, which can be determined by turning the equipment off and on, the user is encouraged to try to correct the interference by one or more of the following measures:

- Reorient or relocate the receiving antenna.
- Increase the separation between the equipment and receiver.
- Connect the equipment into an outlet on a circuit different from that to which the receiver is connected.
- Consult the dealer or an experienced radio/TV technician for help.

Caution: Any changes or modifications to this device not explicitly approved by manufacturer could void your authority to operate this equipment.

This device complies with part 15 of the FCC Rules. Operation is subject to the following two conditions: (1) This device may not cause harmful interference, and (2) this device must accept any interference received, including interference that may cause undesired operation.

The device has been evaluated to meet general RF exposure requirement. The device can be used in portable exposure condition without restriction.

Legal Information (cont'd)

WARNING Li-ion Battery Inside

This product is fitted with a Li-ion battery. Do not damage, open, or dismantle the battery and do not use it in damp and/or corrosive conditions. Use only with compatible chargers. Never dispose of batteries in a fire, and never expose them to high temperatures. Do not expose the product to temperatures exceeding 60°C (140°F).



The crossed-out garbage bin symbol means that you must not dispose of this product together with unsorted household waste.

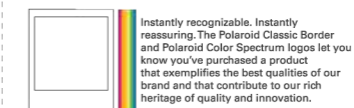
Rain/Moisture Warning

- Do not expose the unit to extreme temperatures (heat or cold), open flames, humid conditions, or wet conditions.
- Do not submerge in water.
- Do not open this product or attempt to repair the unit yourself should it not be working.



PLR IP Holdings, LLC, its licensees and affiliates, fully support all electronic waste initiatives. As responsible stewards of the environment, and to avoid violating established laws, you should properly dispose of this product in compliance with all applicable regulations, directives or other governances in the area where you reside. Please check with local authorities or the retailer where you purchased this product to determine a location where you can appropriately dispose of the product.

Polaroid, Polaroid & Pixel, Polaroid Color Spectrum, and Polaroid Classic Border Logo are trademarks of PLR, IP Holdings, LLC, used under license.



Instantly recognizable. Instantly reassuring. The Polaroid Classic Border and Polaroid Color Spectrum logos let you know you've purchased a product that exemplifies the best qualities of our brand and that contribute to our rich heritage of quality and innovation.